

TECHNICAL NOTE	Date: 2007-01-17	Document class: Information
Handled by: Nils Willart		Document No.: CTRX-07-003
Product: AIS CTRX	Software version: N/A	
Subject: Installation of AIS Pilot plug receptacle		

AIS Pilot Plug

Description

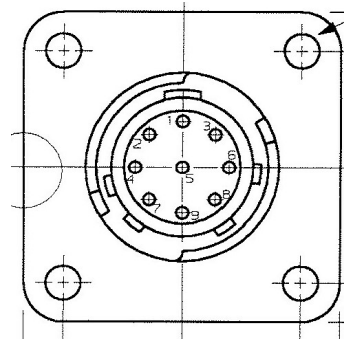
A pilot input/output port is part of an AIS Class A station. A plug connected to this port should be installed on the bridge near the pilot's operating position so that a pilot can connect a Portable Pilot Unit (PPU).

Connector

Item	Type	Manufacturer	Part number
1	Receptacle, shell size 11, 9 pin std., square flanged	AMP/Tyco	206486-1
1.1	Receptacle, free Hanging (alternative)	AMP/Tyco	206486-2
2	Contact pin, solder type (5 pcs used)	AMP/Tyco	66570-3

Connector wiring diagram

Pin	Connection
1	Transmit A - Yellow
4	Transmit B - Green
5	Receive A - White
6	Receive B - Brown
9	Shield (GND) (not used)



TRUE HEADING AB

Office address
Nybergsgatan 6B
114 45 STOCKHOLM
Sweden

Phone +46 8 6609060
Telefax +46 8 6618020

E-mail
info@trueheading.se

Internet
www.trueheading.se

Registered office
Stockholm

Org.no
556658-5054

V.A.T No.
SE556658505401